

## DS-2SF8C442MXS-DLW(24F0)(P3) 4 MP 42 × TandemVu PTZ Camera



- Captures a large area and great details at the same time
- High quality imaging with 4 MP resolution for both bullet channel and PTZ channel
- 24/7 colorful imaging and excellent low-light performance with DarkFighter technology
- Bullet channel tilt adjustable from 7° to 17°
- Secures an expansive area with 42 × optical zoom and 16 × digital zoom
- Expansive night view with up to 30 m white light distance and 300 m IR distance
- Supports deep learning functions
- Water and dust resistant (IP67) and vandal resistant (IK10) and Anti-Corrosion Protection(optional).



## ▪ DORI

The DORI (detect, observe, recognize, identify) distance gives the general idea of the camera ability to distinguish persons or objects within its field of view. It is calculated based on the camera sensor specification and the criteria given by EN 62676-4: 2015.

DORI	Detect	Observe	Recognize	Identify
Definition	25 px/m	63 px/m	125 px/m	250 px/m
[Bullet channel] Distance	58.2 m (190.9 ft.)	23.1 m (75.8 ft.)	11.6 m (38.1 ft.)	5.8 m (19.0 ft.)
[PTZ channel] Distance (Tele)	2965.5 m (9729.3 ft.)	1176.8 m (3860.9 ft.)	593.1 m (1945.9 ft.)	296.6 m (973.1 ft.)

## ▪ Specification

Camera	
Image Sensor	[Bullet channel] 1/1.8" Progressive Scan CMOS, [PTZ channel] 1/1.8" Progressive Scan CMOS
Min. Illumination	[Bullet channel] Color: 0.0005 Lux @ (F1.0, AGC ON), B/W: 0.0001 Lux @ (F1.0, AGC ON), 0 Lux with Light, [PTZ channel] Color: 0.0005 Lux @ (F1.2, AGC ON), B/W: 0.0001 Lux @ (F1.2, AGC ON), 0 lux with IR
Shutter Speed	1/1 s to 1/30000 s
Slow Shutter	Yes
Day & Night	[Bullet channel] Color, [PTZ channel] IR cut filter
Zoom	[PTZ channel] 42 × optical, 16 × digital
Max. Resolution	[Bullet channel] 3840 × 1080, [PTZ channel] 2560 × 1440
Lens	
Focus	Auto, semi-auto, manual
Focal Length	[Bullet channel] 2.8 mm, [PTZ channel] 5.9 to 247.8 mm
Zoom Speed	[Bullet channel] No, [PTZ channel] approx. 5.5 s
FOV	[Bullet channel] horizontal field of view: 190° ± 5°, vertical field of view: 50 ± 5°, diagonal field of view: 198 ± 5°, [PTZ channel] horizontal field of view: 56.6° to 3.1°, vertical field of view: 34.2° to 1.1°, diagonal field of view: 67.1° to 2.3°
Aperture	[Bullet channel] F1.0, [PTZ channel] F1.2
Illuminator	
Supplement Light Range	[Bullet channel] white light: up to 30 m, [PTZ channel] IR: up to 300 m
Smart Supplement Light	Yes
PTZ	
Movement Range (Pan)	[PTZ channel] 0° to 360°
Movement Range (Tilt)	[Bullet channel] 7° to 17°, [PTZ channel] -20° to 90°
Pan Speed	[PTZ channel] pan speed: configurable from 0.1° to 160°/s, preset speed: 240°/s
Tilt Speed	[Bullet channel] tilt speed configurable, [PTZ channel] tilt speed: configurable from 0.1° to 120°/s, preset speed 200°/s

Proportional Pan	[Bullet channel] No, [PTZ channel] Yes
Presets	300
Patrol Scan	8 patrols, up to 32 presets for each patrol
Pattern Scan	4 pattern scans, record time over 10 minutes for each scan
Power-off Memory	Yes
Park Action	Preset, pattern scan, patrol scan, auto scan, tilt scan, random scan, frame scan, panorama scan
3D Positioning	Yes
PTZ Status Display	Yes
Preset Freezing	Yes
Scheduled Task	Preset, pattern scan, patrol scan, auto scan, tilt scan, random scan, frame scan, panorama scan, dome reboot, dome adjust, aux output
<b>Video</b>	
Main Stream	[Bullet channel] 50 Hz: 25 fps (3840 × 1080), 60 Hz: 24 fps (3840 × 1080), [PTZ channel] 50 Hz: 25 fps (2560 × 1440, 1920 × 1080, 1280 × 960, 1280 × 720), 60 Hz: 30 fps (2560 × 1440, 1920 × 1080, 1280 × 960, 1280 × 720)
Sub-Stream	[Bullet channel] 50 Hz: 25 fps (1920 × 536), 60 Hz: 24 fps (1920 × 536), [PTZ channel] 50 Hz: 25 fps (704 × 576, 640 × 480, 352 × 288), 60 Hz: 30 fps (704 × 480, 640 × 480, 352 × 240)
Third Stream	[Bullet channel] No, [PTZ channel] 50 Hz: 25 fps (1920 × 1080, 1280 × 960, 1280 × 720, 704 × 576, 640 × 480, 352 × 288), 60 Hz: 30 fps (1920 × 1080, 1280 × 960, 1280 × 720, 704 × 480, 640 × 480, 352 × 240)
Video Compression	Main stream: H.265+/H.265/H.264+/H.264, Sub-stream: H.265/H.264/MJPEG, Third stream: H.265/H.264/MJPEG
Video Bit Rate	32 Kbps to 16 Mbps
H.264 Type	Baseline profile, Main profile, High profile
H.265 Type	Main profile
Scalable Video Coding (SVC)	H.264 and H.265 encoding
Region of Interest (ROI)	8 fixed regions for each stream
<b>Audio</b>	
Audio Compression	G.711, G.722.1, G.726, MP2L2, PCM, AAC-LC
Audio Bit Rate	32 to 192 Kbps (MP2L2), 16 to 64 Kbps (AAC-LC)
Audio Sampling Rate	8 kHz, 16 kHz, 32 kHz, 48 kHz
Environment Noise Filtering	Yes
<b>Network</b>	
API	ISUP, ISAPI, SDK, Open Network Video Interface (Profile S, Profile G, Profile T)
Network Storage	NAS (NFS, SMB/CIFS), auto network replenishment (ANR)
Protocols	IPv4/IPv6, HTTP, HTTPS, 802.1X, QoS, SMTP, UPnP, SNMP, DNS, DDNS, NTP, RTSP, RTCP, RTP, TCP/IP, UDP, IGMP, ICMP, DHCP, PPPoE, Bonjour, FTP
Simultaneous Live View	Up to 20 channels
User/Host	Up to 32 users. 3 user levels: administrator, operator, and user

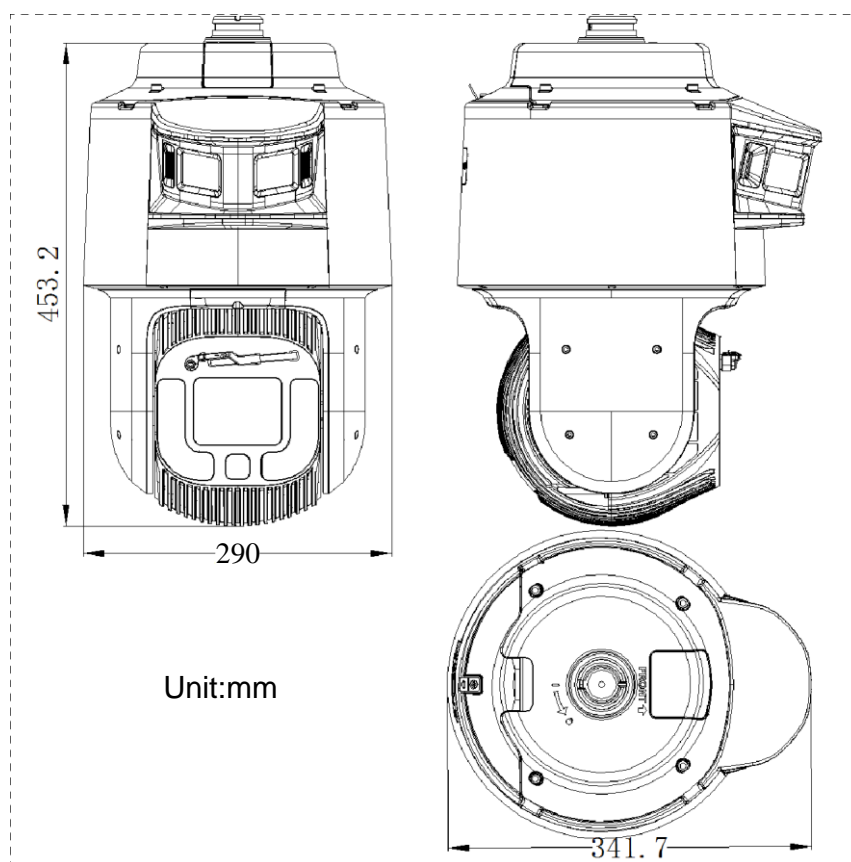
Security	Password protection, complicated password, IP address filter, HTTPS encryption, 802.1X authentication (EAP-TLS, EAP-LEAP, EAP-MD5), host authentication (MAC address), watermark
Client	iVMS-4200, HikCentral Pro, Hik-Connect
Web Browser	IE 10+, Chrome 57+, Firefox 52+, Safari 12+
<b>Image</b>	
Day/Night Switch	Day, night, auto, schedule
Image Enhancement	HLC, 3D DNR
Wide Dynamic Range (WDR)	[Bullet channel] No, [PTZ channel] 120 dB
Defog	Optical defog
Image Stabilization	EIS
Regional Exposure	Yes
Regional Focus	[Bullet channel] No, [PTZ channel] Yes
Image Settings	Saturation, brightness, contrast, sharpness, gain, and white balance adjustable by client software or web browser
Image Parameters Switch	Yes
Privacy Mask	[Bullet channel] No, [PTZ channel] 24 programmable polygon privacy masks; mask color or mosaic configurable
SNR	≥ 52 dB
<b>Supplement Detection</b>	
Satellite Positioning	No
Gyroscope	Yes
Compass	No
<b>Interface</b>	
Ethernet Interface	1 RJ45 100M self-adaptive Ethernet port
On-board Storage	Built-in memory card slot, support microSD/microSDHC/microSDXC card, up to 256 GB
Alarm	7 input(s), 2 output(s)
Audio	1 input (line in), max. input amplitude: 2-2.4 vpp, input impedance: 1 KΩ ± 10%, 1 output (line out), line level, output impedance: 600 Ω
RS-485	1 RS-485 (Half duplex, HIKVISION, Pelco-P, Pelco-D, self-adaptive)
Reset	Yes
<b>Event</b>	
Basic Event	[PTZ channel] video tampering alarm [PTZ channel & bullet channel] alarm input and output, exception
Smart Event	[PTZ channel & bullet channel] audio exception detection [PTZ channel] line crossing detection, intrusion detection, region entrance detection, region exiting detection
Auto Tracking	[PTZ channel] yes
Smart Linkage	3D positioning
Alarm Linkage	[Bullet channel] no [PTZ channel] Upload to FTP/NAS/memory card, notify surveillance center, send email, trigger alarm output, trigger recording, audible warning, white light flashing, and PTZ actions (such as preset, patrol scan, pattern scan)

Deep Learning Function	
Multi-Target-Type Detection	[Bullet channel] no [PTZ channel] Supports simultaneous detection and capture of human body, face and vehicle
General	
General Function	mirror, password protection
Power	36 VDC ± 25%, max. 70 W, including max. 6 W for heater and max. 6 W for supplement light of bullet channel, and max. 6 W for heater and max. 15 W for supplement light of PTZ channel
Operating Condition	-40 °C to 70 °C (-40 °F to 158 °F). Humidity 95% or less (non-condensing), For speaker: -30 °C to 55°C (-22°F to 131°F)
Wiper	Yes
Demist	Yes
Material	ADC12
Dimension	Ø290 mm × 453.2 mm (Ø11.42" × 17.84")
Weight	Approx. 11.5 kg (25.35 lb.)
Language	33 languages: English, Russian, Estonian, Bulgarian, Hungarian, Greek, German, Italian, Czech, Slovak, French, Polish, Dutch, Portuguese, Spanish, Romanian, Danish, Swedish, Norwegian, Finnish, Croatian, Slovenian, Serbian, Turkish, Korean, Traditional Chinese, Thai, Vietnamese, Japanese, Latvian, Lithuanian, Portuguese (Brazil), Ukrainian
Approval	
EMC	FCC (47 CFR Part 15, Subpart B), CE-EMC (EN 55032: 2015, EN 61000-3-2: 2019, EN 61000-3-3: 2013 + A1: 2019, EN 50130-4: 2011 + A1: 2014), RCM (AS/NZS CISPR 32: 2015), IC (ICES-003: Issue 7), KC (KN 32: 2015, KN 35: 2015)
Safety	UL (UL 62368-1), CB (IEC 62368-1: 2014 + A11), CE-LVD (EN 62368-1: 2014/A11: 2017), BIS (IS 13252 (Part 1): 2010/IEC 60950-1: 2005), LOA (IEC/EN 60950-1)
Environment	CE-RoHS (2011/65/EU), WEEE (2012/19/EU), Reach (Regulation (EC) No 1907/2006)
Protection	IP67 (IEC 60529-2013), TVS 6000 V lightning protection, surge protection and voltage transient protection, Anti-Corrosion Protection(optional),IK10.

### ▪ Available Model

DS-2SF8C442MXS-DLW(24F0)(P3)

▪ Dimension



▪ Accessory

▪ Optional

DS-1668ZJ(20)-P

DS-1603ZJ-Pole-P

DS-1603ZJ-P



Distributed by

**HIKVISION®****Headquarters**

h o.S£6 0 ian m o Road, Binjia n g Distri ct,  
Hangzho u 3100SI, China  
Li 86-571-8807-998  
overseas 0 usiness @hikvisio n.com

Hl kvIslon USA  
I -1 90-9 895- 0A 0 0  
sales.usa@nikvision.com

Hl kvIslon Australia  
I +61-2- 8Sgg A233  
salesa u @ o i iston.com

HIWISI00 III d16  
T +91-22-28469900  
sales @ p m ahikvision.com

hl kvIsl on Canada  
I -1 86-6 20-0 6690  
sales.canada @ o i vision.com

Hl kvIslon Thailand  
T +662-275-9949  
salss.thai!and@oizviston.com

Hl kvIslon Europe  
T +31-23-5542770  
salss.en@hikvision.com

Hl kvIslon Italy  
T +39-0A58-6902  
i mo.it@oi Visio n.com

HI W Isl on Braz11  
I +55 11 3318-0050  
eata.m.su pport@oiâvision.com

HI W Isl on Turkey  
Ii 90 | 2161S2I 707 0 101L  
sales.t r@ hi zvis to n.com

HI kv Isl on Malaysla  
I 6 0-1 765-2 2 15  
sales.my@hikvisio n.com

Hl kvIslon UK G Ireland  
T +0T628-902TA0  
sales.uk@hikvisio n.com

III kvIslon South Afrlca  
Tel: +27 (10) 0351172  
safe.at Itca @ hikvisio n.com

IN1 W Isl on France  
I" 33101-1 8S- 52-0 AS0  
into.tr@ hizvis to n.com

Hl kvIslon Kazakhstan  
T +7-727-9750667  
niki a.pant Nov@hikvisio n.In

IN1 kvIslon Vletnam  
I i 8-Ag7A270888  
sales.vt @ o ikvisio n.com

HIKVISION UAE  
T +971-4-4432090  
sales me@nikvision.com

Hl kvIslon Singapore  
I +6S- 668- 718  
sq@hiâvision.com

Hl hlsb«Spain  
T 6A-91-737-16-88  
info.es@hikvision.com

hIWIslon Tashkent  
T +99-87- 1?58-9n58  
UZ O@ fi i kv is io PL IU

Hl kvIslon Hong Kong  
T +8g2-2TST- T76T  
info.hk@hikvisio n.com

H l kvIsl on Russla  
Ii -7 9-S 66-9 6-7 99  
S d ISIU @ fi W is IO PL O n

H l kvIsl on Itorea  
Ii 82-10131-734 8817  
sales.ko tea @ h ikvi sio n.com

H l kvIsl on Po land  
Ii A8- 2-2 A6-0 0-1 S0  
info.pl@hikvision.com

Hl kvIslon Indonesia  
T +62-2T-29SS? 9  
Sales.indonesia@nikvision.com

HIKVISION C0 IOITI bl 6  
g d t9S. C 0 IO RTIbi d hi ii Si OF1.TO ITI